

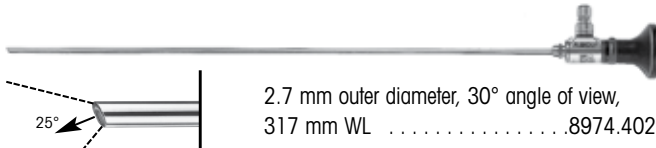


## Office Hysteroscopy System

- Add incremental hysteroscopy procedures to your gynecology practice
- Reduce patient anxiety by performing hysteroscopy in an office setting



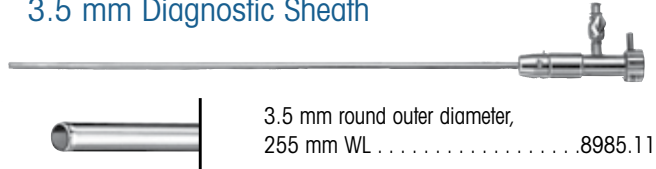
# Office Hysteroscopes



2.7 mm outer diameter, 30° angle of view,  
317 mm WL .....8974.402


25°

**3.5 mm Diagnostic Sheath**



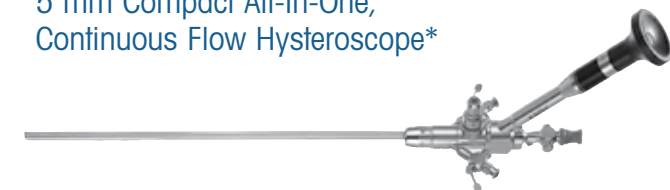
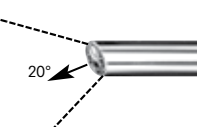
3.5 mm round outer diameter,  
255 mm WL .....8985.11

**5.5 mm OptiFLOW, Continuous Flow Sheath\***



OptiFLOW sheath, 5 Fr. insert capacity, CF,  
5.5 mm ø, 215 mm WL .....8974.351

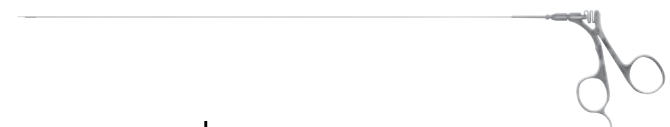

**5 mm Compact All-In-One, Continuous Flow Hysteroscope\***


5 mm round outer diameter with integrated sheaths, 20° angle of view, 5 Fr. working channel, 217 mm WL .....8986.401

20°


**5 Fr. Semi-Rigid Forceps**

Grasping forceps .....8642.65



Cutting biopsy punch .....8642.631



Scissors .....8642.681



**Optional Ergonomic Handle.....8986.251M**

**Light Guide Cable**  
2.5 mm Ø, 9.8 ft.....8061.256

**Instrument Trays**  
Plastic autoclavable,  
for 2.7 mm hysteroscope, sheaths and accessories.....8570.027  
for compact hysteroscope and accessories.....8570.040

**Expand your gynecology practice** by bringing basic diagnostic and operative hysteroscopy procedures into the office setting.

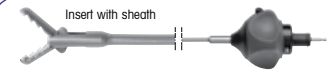



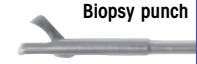


**Office Hysteroscopy** is efficient and time-saving and frees you from the constraints of the OR schedule. Patients are often more comfortable having hysteroscopy performed in the office rather than in the operating room.

\*Suitable for use with Essure® tubal sterilization device.

## HySafe Qui-Connect

### Modular Forceps for GYN Hysteroscopy

360° rotatable, flushable, easy click, rigid

Insert with sheath	Insert with sheath	Fr.	WL (mm)	Handle with overload protection	Complete instrument • Insert with sheath • Handle Types
	8642.6508	5	340		<b>8642.6502</b>
	8992.6308	7	310		<b>8992.6302</b>
	8642.6008	5	340		<b>8642.6002</b>
	8642.6318	5	340		<b>8642.6312</b>
	8642.6818	5	340		<b>8642.6812</b>
	8992.6408	7	310		<b>8992.6402</b>

# Office Hysteroscopy Pack



## Included in Office Hysteroscopy Packs:

1 - Prep Kit, with 2 Povidone-iodine Paint Sponge Sticks	1 - Alcohol Swab
1 - Half Drape	1 - Cysto Tubing Set
2 - Leggings	1 - Extension IV Tubing Set
2 - Hand Towels	1 - Back Table Cover
1 - Under the Buttocks Drape with Pouch	1 - Foam Tray
1 - Camera Drape	

### ORDER INFORMATION:

Office Hysteroscopy Pack, disposable, sterile, 10 / box.....4974.0010

\*\*\*12, 24 and 36 month disposables contracts available with automatic shipping



# Compact Office Hysteroscopy Pack



## Included in Compact Office Hysteroscopy Packs:

1 - Prep Kit, with 3 Povidone-iodine Swabsticks

1 - Half Drape

1 - Under the Buttocks Drape with Pouch

1 - Camera Drape

1 - Cysto Tubing Set

1 - Extension IV Tubing Set

1 - Back Table Cover

## ORDER INFORMATION:

**Office Hysteroscopy Pack, disposable, sterile, 10 / box..... 4975.0010**

\*\*\*12, 24 and 36 month disposables contracts available with automatic shipping

## OTHER OFFICE PRODUCTS AVAILABLE:

Protective scope sleeve, for 2.7 mm endoscope, for storage, autoclaving and gas, 5 / pack ..... 8570.9325

Mr. Clear Antifog Agent, for endoscopes, single-use, 20 / box ..... 102.021

Water Cleaning Pistol, with attachments and holder, for cleaning small lumens..... 6199.00

Simple<sup>2</sup>™ Enzymatic Hand Pads, for cleaning the outside of scopes and instruments, 3" x 5" pad, 200 / box ..... 6.89

# Office Premier Speculum for In-Office Procedures

# SPEC™

## OfficeSpec

24 / box .....409910000

- Built in, single use, battery operated, light source with smoke channel for improved visibility
- Comfortable ergonomic design for improved balance and easy maneuverability during exams
- Side-opening for improved instrument access and removal
- Latex free
- Smooth acrylic will not pinch for greater patient comfort
- Single use only



# Endoscopic Leak Free Endoscopy

# SEAL™

## Endoscopic Seal

1.2 mm, 3 - 5 FR, 10 / PKG .....409910001

2.0 mm, 4 - 10 FR, 10 / PKG .....409910002

- The first endoscopic seal to feature a funnel guided top for easy insertion of instruments
- Double seal technology for maximum leak control
- Self sealing for leak free use with multiple instruments
- Luer-lock adaptor compatible with any female luer-lock fitting (luer-lock adaptor can be removed if needed)
- Packaged sterile
- Available for Gynecology in two sizes: 1.2 mm (3-5 French) and 2.0 mm (5-10 French)

# Office Video Cart

## Omega Office Cart

31113.308

- Lightweight
- Myriad of options for customization
- Integrated power supply with 6 medical grade outlets
- 8 adjustable shelf and drawer positions
- Lockable front wheels

## Accessories

- Drawer, lockable.....31113.3081
- IV pole for 2 IV bags.....31113.3082
- CO<sub>2</sub> tank holder .....31113.3083
- LCD flat panel post mount.....31113.3084
- Additional shelf.....31113.3085



Part Number	Dimensions ( W x H x D )	Weight	Power Supply	Main on / off switch	Style	Shelves	Drawer	Cable management channel	Isolation transformer	CO <sub>2</sub> tank holder	Power strip	Integrated power supply system
31113.308	53 x 94 x 53 cm	27 kg	120 VAC	yes	open	2	optional	yes	no	optional	yes	yes

353 Corporate Woods Parkway • Vernon Hills, Illinois 60061-3110 • Customer Service (800) 323 WOLF (9653) • Fax: (847) 913-1488  
 Email: sales&marketing@richardwolfusa.com • Website: www.richardwolfusa.com